

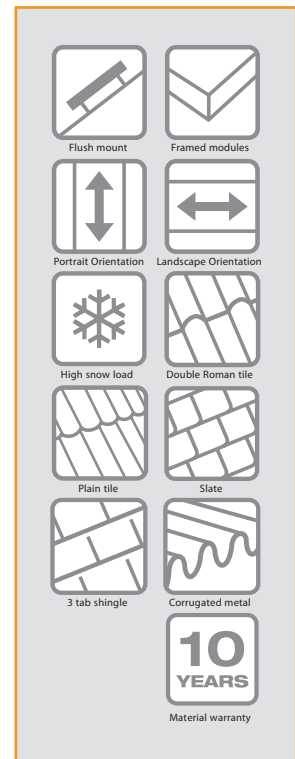
## Conergy SunTop



CONERGY

The Conergy SunTop is a revolutionary flush mount PV module mounting system. The system's unique base rail and Quickstone and Telescope technologies enable significantly

faster, easier installations. While new to the US market, Conergy SunTop has enjoyed 10 years of successful installations worldwide.



**Elegant Simplicity.** Conergy SunTop offers an elegant yet simple installation solution which can be mounted easily on any pitched roof with almost any kind of roof material.

**Significant Savings.** Conergy SunTop's unique engineering and high level of pre-assembly reduces installation time dramatically. Additionally, with only five rail lengths and the adjustable telescoping end piece, Conergy SunTop reduces shipping, handling and inventory costs as well.

**Code compliant design.** The web-based Certified Sizing Tool eases compliance with the UBC, CBC and IBC building codes by eliminating manual calculations. Simply enter the appropriate wind and snow load parameters for your site, and the Tool provides the required roof attachment frequency. The Tool also outputs the precise bill of materials needed for your installation.

**Adjustable rail length.** The Telescope technology eliminates the need to cut rail on the job site, while enabling precise module installations.

**Extensive module compatibility.** Conergy SunTop is compatible with nearly every framed PV module available in the US.

**Excellent adaptability.** The optional vertical extension plates make it easy to level the PV array despite roof irregularities.

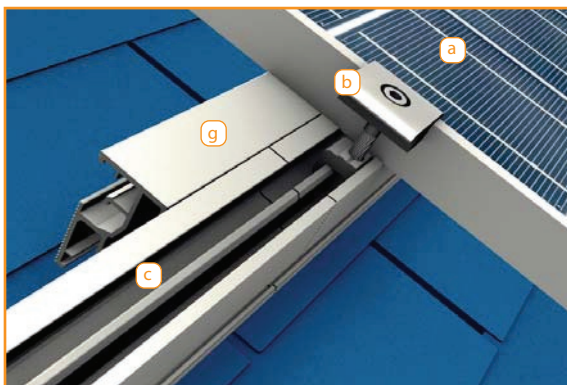
**Guaranteed durability.** Conergy SunTop comes with a 10 year limited product warranty.



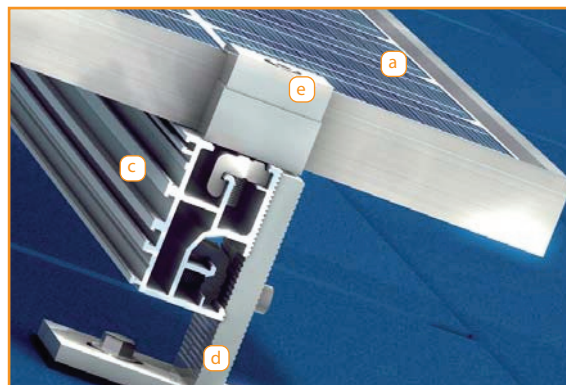
CONERGY

Photovoltaic mounting systems | Technical data

# Conergy SunTop



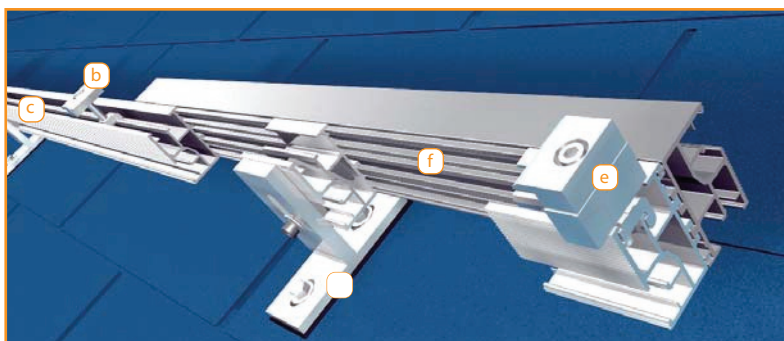
Splice technology



Quickstone technology

### Overview

- a** Framed PV module
- b** Inter-module clamp
- c** Conergy rail
- d** T-Foot
- e** Module end clamp
- f** Telescope
- g** Splice



Telescope technology

### Technical data

Mounting type	Flush mount
Roofing material	Suitable for most types of roofing (shingle, tile, metal, etc.)
Compatible PV modules	Framed modules from all major manufacturers
Rail height adjustability	Up to 2-1/2" (63 mm) using T-Foot with optional extension plate
Available rail lengths (ft)	10', 8', 6', 4', 2'
Rail length adjustability	0-2' with Telescope
Certifications and standards	The Certified Sizing Tool facilitates mounting system design in accordance with UBC 1997, CBC 2001 and IBC 2003

Rail material	Aluminum
All other system materials	All system components are made of stainless steel or aluminum
Finish	Mill finish <sup>1</sup>
Warranty	10 year limited product warranty <sup>2</sup>

<sup>1</sup> Anodized aluminum parts are available on demand

<sup>2</sup> See installation manual for details

Available from:

ROB'S  
[www.solaricity.ca](http://www.solaricity.ca)  
 INC.  
 (416) 938-8183